



patio sliding doors

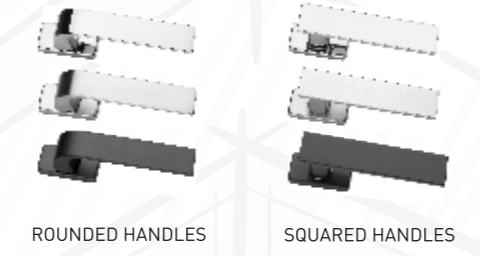


patio doors

ARTECH FullGlass

HANDLES

Windows and balconies

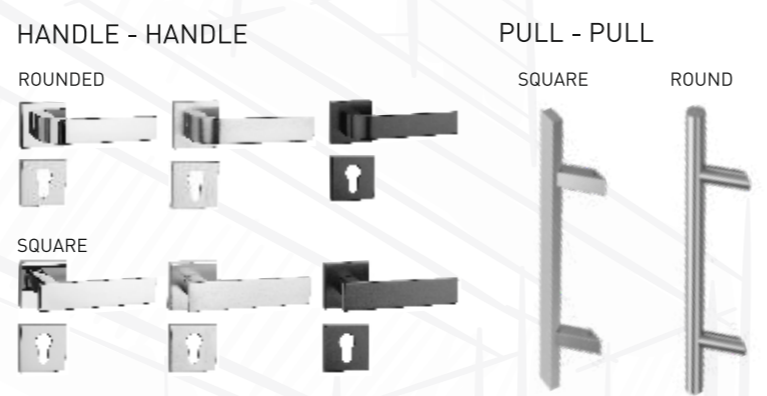


Patio doors



Patio doors handles

Front door



PULL - HANDLE
You may use the combination of: handle from inside and pull from outside

WINDOW COLOURS

ARTECH FullGlass line windows are available in more than 200 colours - RAL colours, veneers in the colours of wood and aluminium. Colours do not change their shade under changing weather conditions. The most popular ones are presented below:



PAINTED GLASS COLOURS



INTER-GLAZING FRAMES

7 colours of frames are available.



COLOURS OF GASKETS

2 colours of rubber gaskets are available: grey and black.



QUALITY CERTIFICATES

Windows and doors manufactured in our factory were granted all necessary certificates for use in construction industry based on CE marking and declaration of compliance in accordance with EN 14351-1:2006 standard. Our products are also certified with the Building Research Institute certificate.



ITI®
Instytut Techniki Budowlanej

ARTECH
Window Architecture & Technology
www.artech-fullglass.com

ARTECH FullGlass

LUXURIOUS WINDOWS & DOORS WITH PAINTED GLASS



Innovative and energy saving windows in FullGlass technology.



exterior doors



tilt & open windows



ARTECH FullGlass window is a response to the latest trends of global design



Complete your designer interior with exclusive design of ARTECH FullGlass windows



If you like fine and original design, ARTECH FullGlass is just for you



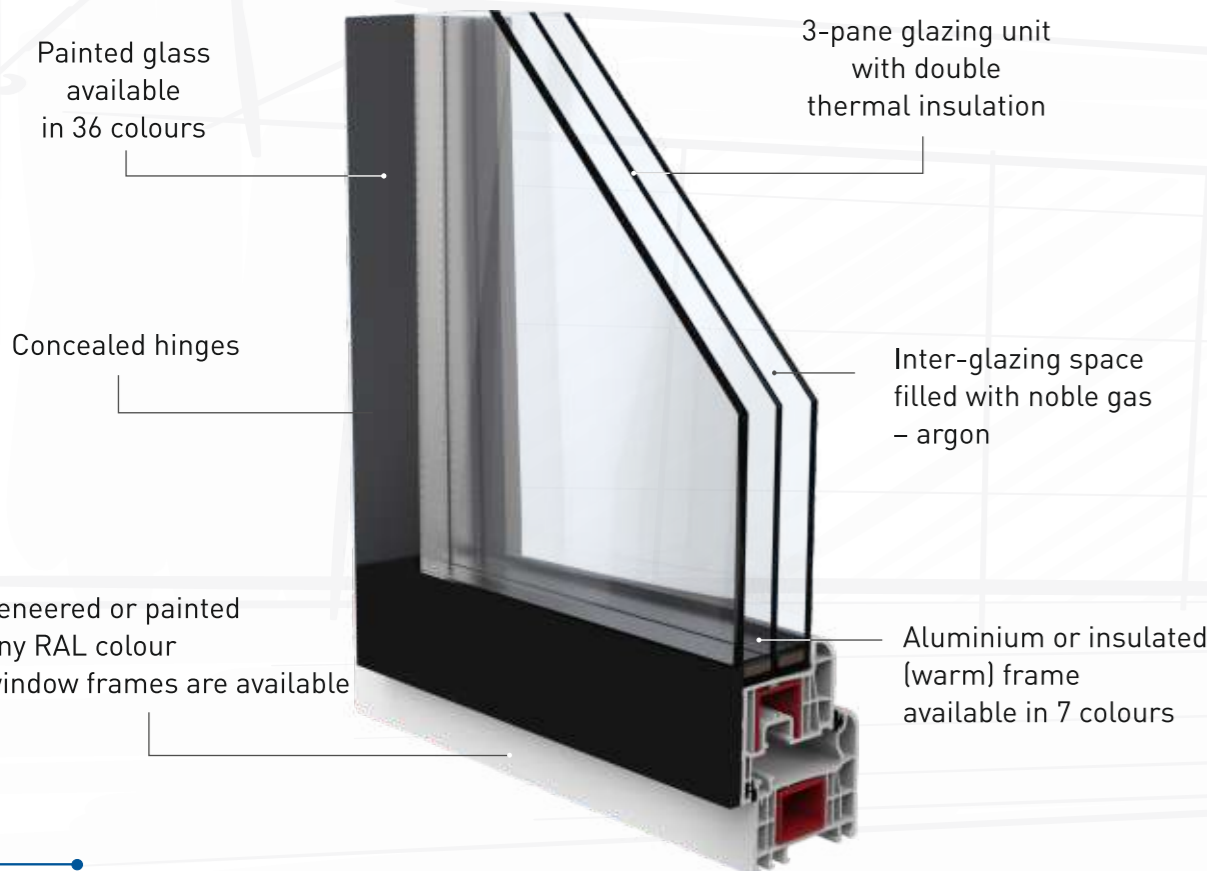
ARTECH FullGlass matches the design of a modern interior

LUXURIOUS STYLE

Designer interiors need luxurious solutions of window joinery. Frames of window's sash are finished with glass painted in the selected colour - 36 colours available. Artech FullGlass window looks like as if it were made of glass only!

VIEW FROM INSIDE PAINTED TEMPERED GLASS

U_g
0,6
W/m²K



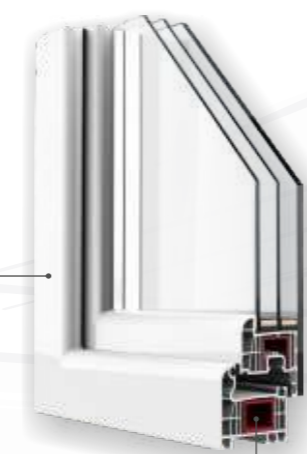
VIEW FROM OUTSIDE

PVC

PVC + ALUMINIUM COVER

Veneered or painted any RAL colour window frames are available

2 mm steel, reinforcing window's frame and sash

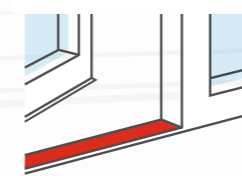


External aluminium cover painted any RAL colour

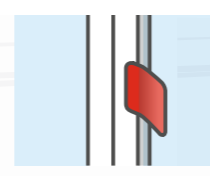
FUNCTIONALITY

Use innovative solutions of ARTECH FullGlass line, which will make the use of windows and balcony doors easier.

LOW DOORSILL FOR A BALCONY DOORS



LATCH OF BALCONY DOORS FROM OUTSIDE



BLOCKADE OF WIND TILT



ENERGY EFFICIENCY

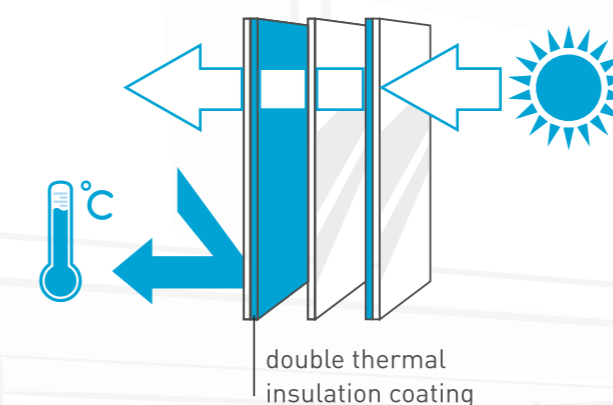
In new houses, windows take an increasing area of walls. In order to reduce heat losses, only windows of low thermal transmittance for the whole window shall be used. The lower the parameter, the less energy escapes outwards.

U_w
0,79
W/m²K

Artech FullGlass windows have

- 3- pane glazing unit (50mm) with double thermal insulation ($U_g - 0,6 \text{ W/m}^2\text{K}$)
- 70 deep 6-chambered profile
- 2 gaskets

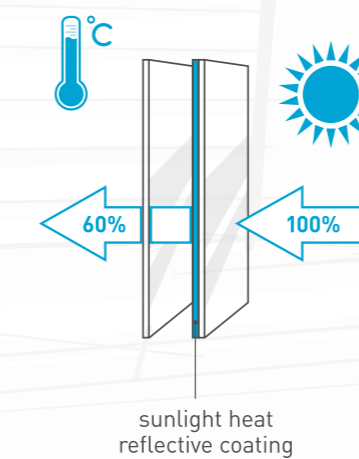
Thermal transmittance U_w for representative 1,5 x 1,5m Artech FullGlass window is 0,79 W/ m²K



SUN PROTECTION

If your flat gets very hot in summer, use special SUNBLOCK panes which reflect sunlight heat. It lets 40% less heat and 70% less harmful UV radiation to pass through into the interior.

40%
less heat
from outside

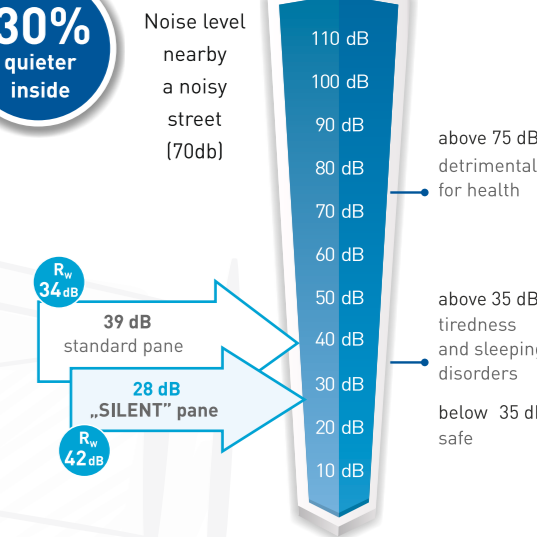


ACOUSTIC INSULATION

Noise influences on our health and comfort. Suitable noise reduction coefficient R_w^* at the level of 34 dB will protect you against unwanted noise from outside.

Noise reduction coefficient can be increased to R_w 42 dB due to selecting acoustic insulated pane SILENT.

30%
quieter
inside



ASSORTMENT

- Windows
- Balcony/patio doors
- Exterior doors
- Patio sliding doors

HS PATIO SLIDING DOORS

Easy operation despite of large size. System without tilting option. No protruding doorsill. Very large, movable glazing units are possible to be manufactured.

Opening patterns

